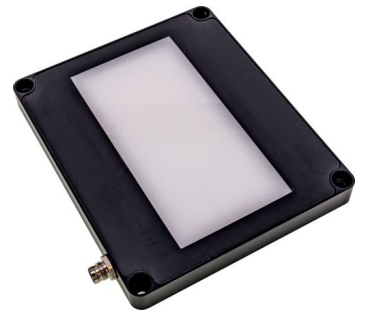


Transmitted light series ED150x70

LED transmitted light, 120x100x12mm, 24V DC, M8 connector 4-pin, IP54, aluminum+PMMA

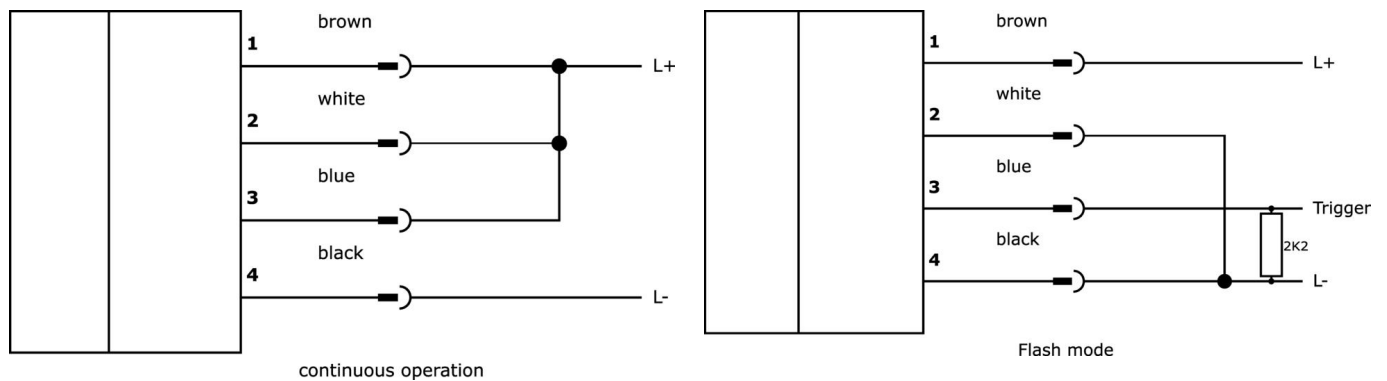


Homogeneous light guide

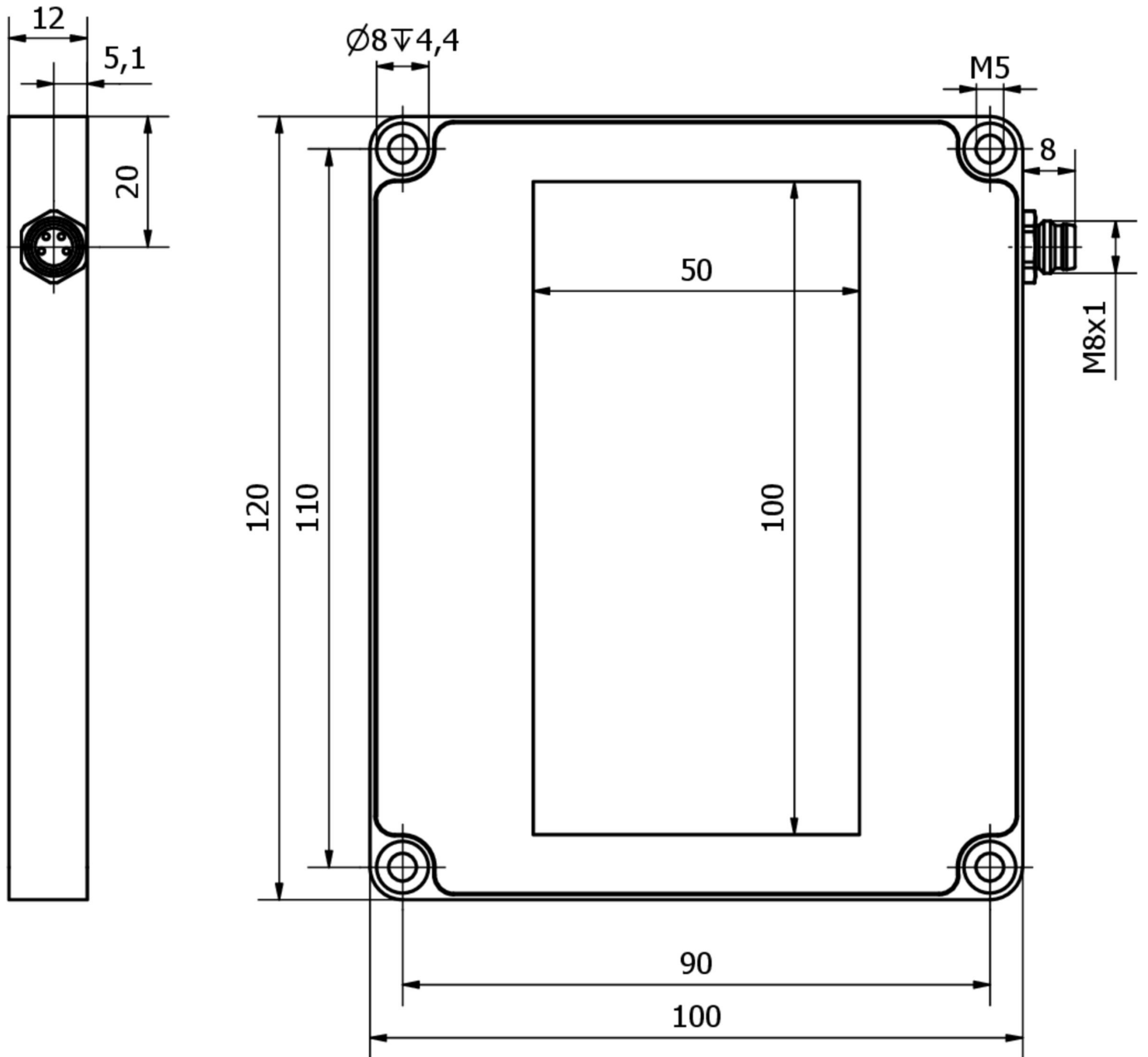
This homogeneous transmitted light illumination with an illuminated area of 100 x 50 mm is ideal for checking and measuring outlines. The lateral coupling of the LED light ensures very homogeneous illumination of the surface, which increases the quality of the inspection result. The transmitted light illumination is characterized by its very compact format with a housing height of only 12 mm.

Article No.	ED150170	ED150770	ED150I70
ardSOCA_Abmessungen	120x100x12mm		
ardSOCA_Betriebsspannung	23-25VDC		
Rated operating current	300 mA	300 mA	450 mA
Power	6 W	3 W	2 W
Protection class	III		
Operational mode	Permanent operation Switching operation Flash operation		
Working distance range	1 - 100 mm		
Light source	White light	Polarity free red light	Infrared light
Wavelength of the sensor		625 nm	850 nm
ardSOCA_ElektrischerAnschluss	M8 4-pin plug connector		
Degree of protection (IP)	IP54		
Housing material	Aluminum		
Front screen material	Polymethyl methacrylate		
Ambient temperature	10 - 30 °C		
Risk group	0		

Connection



Dimensional drawing



Extract accessories program**VK200371**

Connection cable, 2m, M8 Female (socket) 4pin Angular, Free conductor end, 4x0.34mm², PUR (Polyurethane), Ø4.7mm, 30V, -30-90°C, IP67, Suitable for trailing chain and torsion resistant, Oil and cooling lubricants, Welding area, Silicone-free

VK200375

Connection cable, 2m, M8 Female (socket) 4pin Straight, Free conductor end, 4x0.34mm², PUR (Polyurethane), Ø4.7mm, 30V, -30-90°C, IP67, Suitable for trailing chain and torsion resistant, Oil and cooling lubricants, Welding area, Silicone-free

VK06F001

Line for camera lighting in continuous operation on OC53 with internal flash controller, 0.6m, M8 socket 4-pin straight, M8 connector 4-pin straight, 4-wire

VK06F002

Line for camera lighting in flash mode to OC53 with internal flash controller, 0.6m, M8 socket 4-pin straight, M8 connector 4-pin straight, 4-wire

You can find further accessories on our homepage

**Installation**

Mounting / installation may only be carried out by a qualified electrician!

**Disposal**

WEEE number according to § 6 para. 3
ElektroG: 40951076

Safety warnings

/ Before initial operation, please make sure to follow all safety instructions that may be provided in the product information.

/ Never use these devices in applications where the safety of a person depends on their functionality.

/ LED lighting systems can generate intensive UV radiation, which can damage your eyes in case of improper use. The manufacturer cannot be held responsible for damages that result from improper use or connection.